

CMG - Stabilised Bicycle for Rehabilitation

Tanguy MATTA, Foucault de FRAGUIER, Max PERKINS, Candy LIU, Dumitru MESCA, Martin LEGRAND
Supervised by Dr. James Avery

UCL

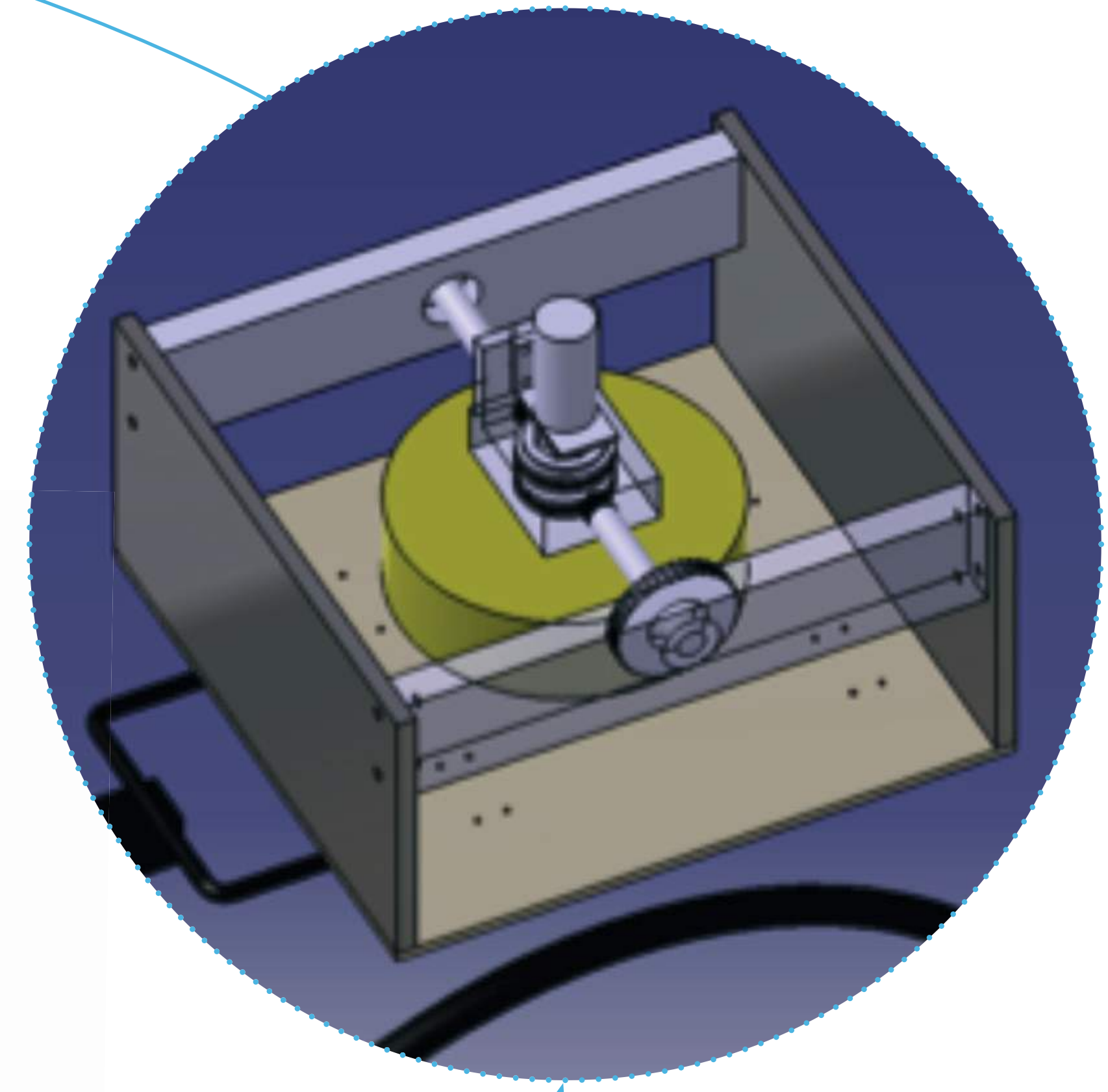
Vestibular Rehabilitation

- Bicycle used for rehabilitation
- Bicycle aids user rehabilitation
- User **Balance Challenged**
- **Variable Difficulty** for Constant Progress



Gyroscopic Stabilisation

- Bicycle stabilised by **control moment gyroscope**
- Sensors detect when stabilisation is needed
- **Stabilisation System** keeps the user **safe**
- **Data recorded** on SD-Card



Benefits

- Balance mechanism progressively improved
- Rehabilitation through **Physical and Social Activity**
- **Self Confidence** and **Self Esteem** Boost
- Improved daily life



Monitoring Progress

- Therapist obtains performance record from SD-Card
- **Data Formatted for Therapeutic Follow up**
- Therapist keeps track of performance and progress
- Treatment Constantly **Adapted**

